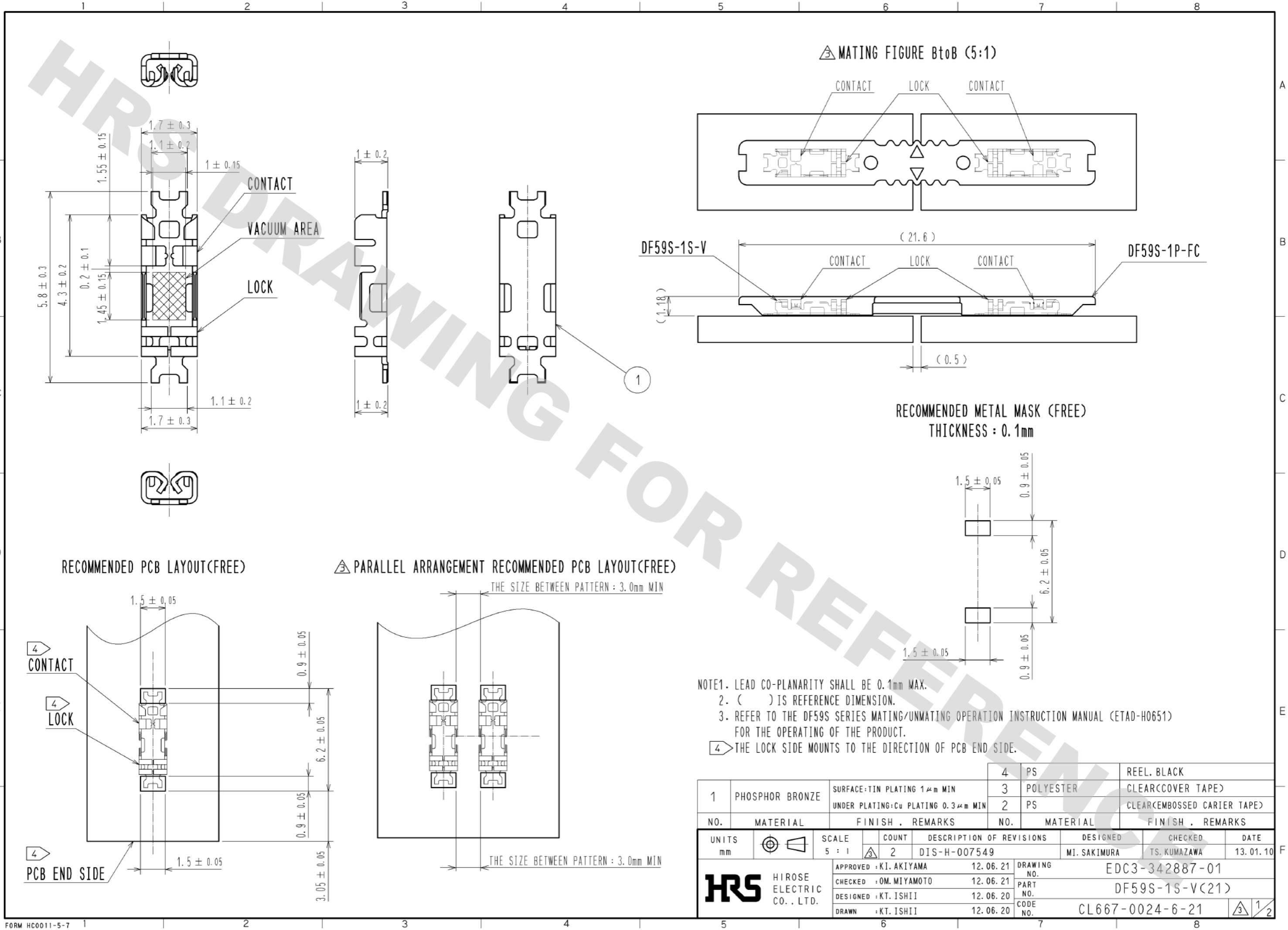


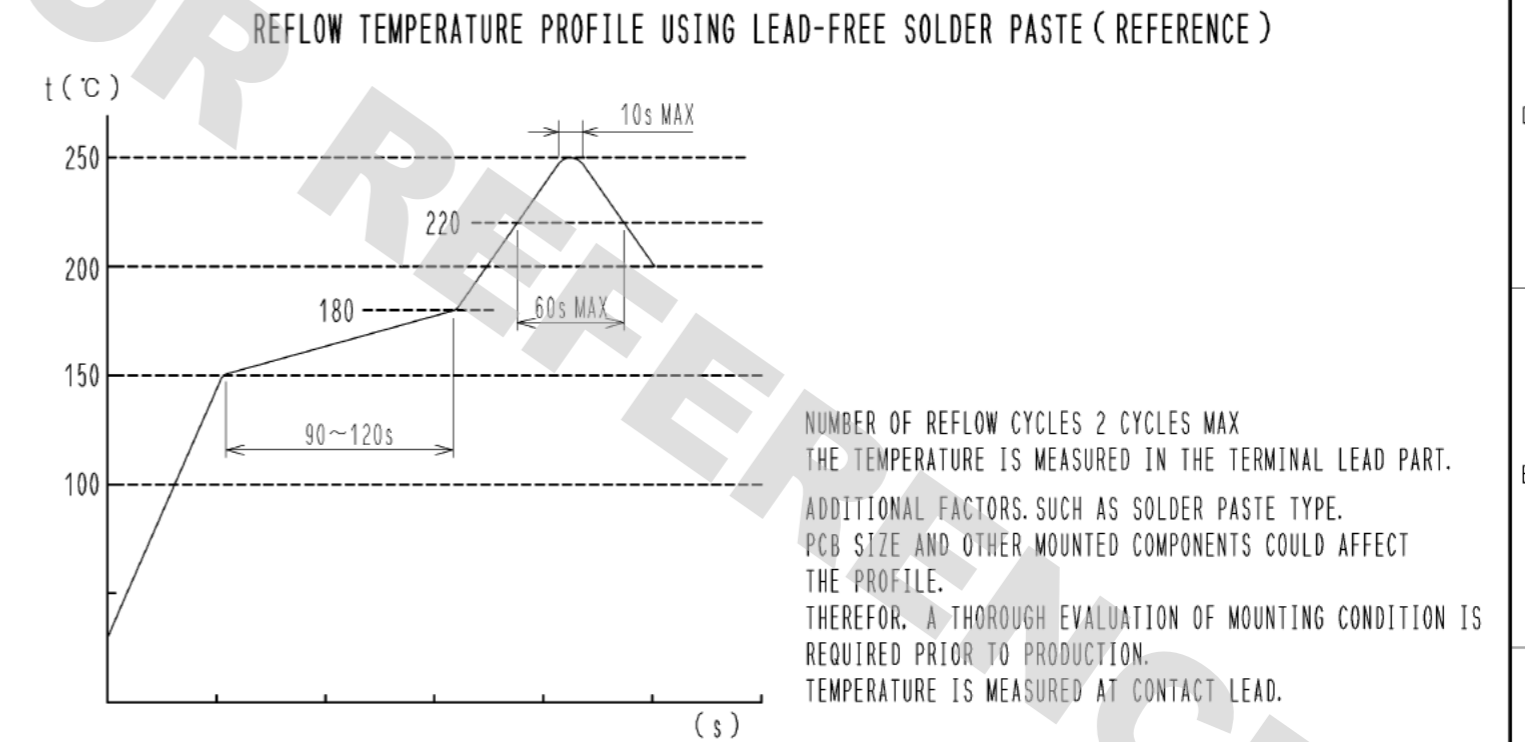
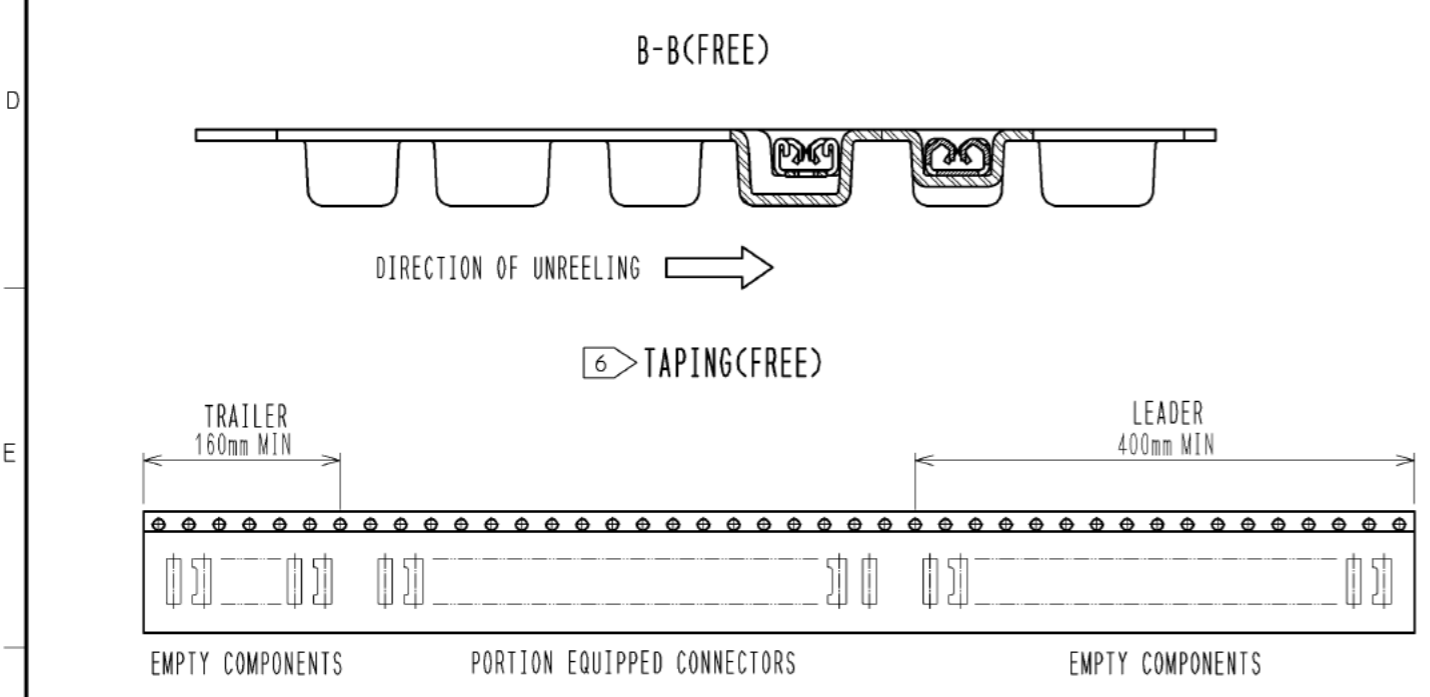
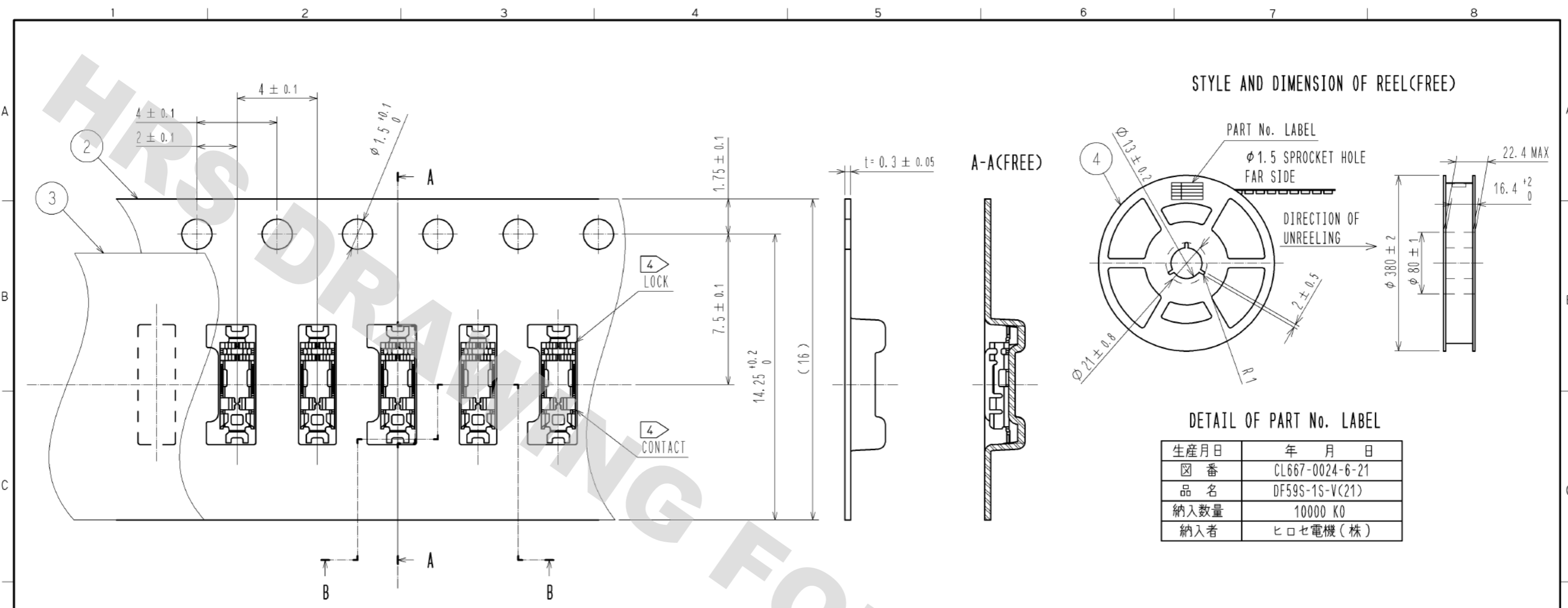
DRAWING FOR REFERENCE: This is subject to change without notice
05/31/2013



NOTE1. LEAD CO-PLANARITY SHALL BE 0.1mm MAX.
 2. () IS REFERENCE DIMENSION.
 3. REFER TO THE DF59S SERIES MATING/UNMATING OPERATION INSTRUCTION MANUAL (ETAD-H0651) FOR THE OPERATING OF THE PRODUCT.
 4 THE LOCK SIDE MOUNTS TO THE DIRECTION OF PCB END SIDE.

1	PHOSPHOR BRONZE	SURFACE:TIN PLATING 1μm MIN UNDER PLATING:Cu PLATING 0.3μm MIN	4 PS 3 POLYESTER 2 PS	REEL. BLACK CLEAR(COVER TAPE) CLEAR(EMBOSSD CARRIER TAPE)			
NO.	MATERIAL	FINISH . REMARKS	NO.	MATERIAL	FINISH . REMARKS		
UNITS	mm	SCALE	COUNT	DESCRIPTION OF REVISIONS	DESIGNED	CHECKED	DATE
		5 : 1	2	DIS-H-007549	MI. SAKIMURA	TS. KUMAZAWA	13.01.10
APPROVED : KI. AKIYAMA		12.06.21	DRAWING NO.		EDC3-342887-01		
CHECKED : OM. MIYAMOTO		12.06.21	PART NO.		DF59S-1S-V(21)		
DESIGNED : KT. ISHII		12.06.20	CODE NO.		CL667-0024-6-21		
DRAWN : KT. ISHII		12.06.20					

DRAWING FOR REFERENCE: This is subject to change without notice
05/31/2013



NOTE5. 1REEL:10000 CONNECTORS.
6 REEL TO JIS C 0806. (PACKAGING OF COMPONENTS FOR AUTOMATING HANDLING)
7. THE DIMENSIONS IN PARENTHESES ARE FOR REFERENCE.

HRS	DRAWING NO.	EDC3-342887-01
	PART NO.	DF59S-1S-V(21)
	CODE NO.	CL667-0024-6-21
		2/2